

# Hiab XS 477 CLX

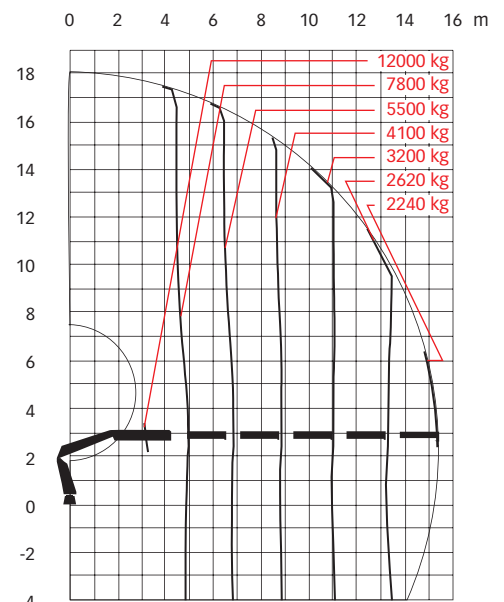
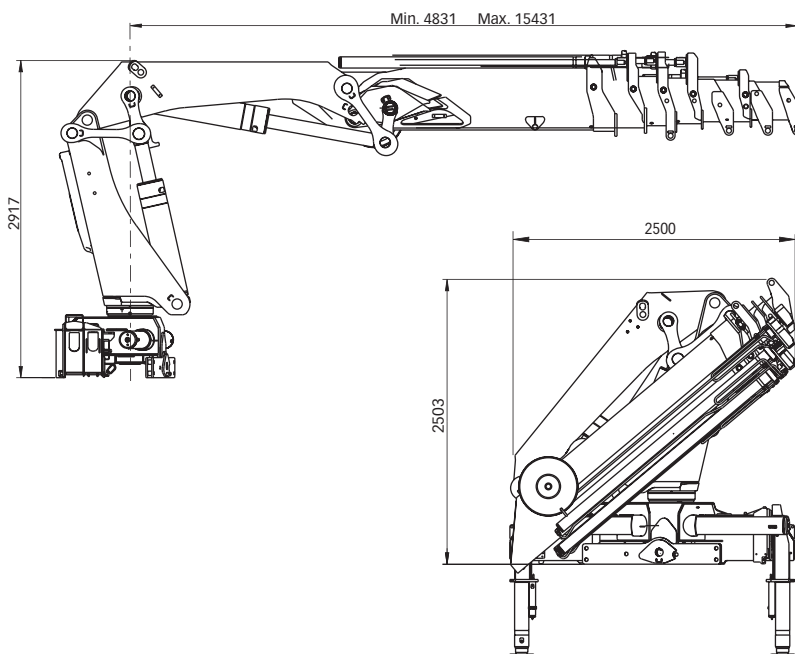
## Capacity 40 tm



# Hiab XS 477 CLX Basic data

Technical data	EP-2 CLX	EP-3 CLX	EP-4 CLX	EP-5 CLX
Max. lifting capacity (kNm)	362	355	349	344
Outreach - hydraulic extensions (m)	8.4	11.0	13.2	15.4
Outreach / lifting capacity (m / kg)	2.9 / 12000	2.9 / 12000	2.8 / 12000	2.8 / 12000
	4.5 / 8200	4.9 / 7400	4.9 / 7300	4.9 / 7200
	6.4 / 5800	6.8 / 5200	6.8 / 5100	6.8 / 4950
	8.4 / 4400	8.8 / 4000	8.8 / 3850	8.8 / 3700
	-	11.0 / 3150	11.0 / 3000	11.0 / 2880
	-	-	13.2 / 2500	13.2 / 2360
	-	-	-	15.4 / 2020
Slewing angle	400 - 400	400 - 400	400 - 400	400 - 400
Height in folded position (mm)	2404	2503	2503	2503
Width in folded position (mm)	2500	2500	2500	2500
Installation space needed (mm)	1360	1425	1575	1620
Weight - "standard" crane without stabilizers (kg)	3600	3860	4070	4340
Weight - stabilizer equipment (kg)	640 - 840	640 - 840	640 - 840	640 - 840

## Hiab XS 477 EP-5 CLX



**Disclaimer.** Hiab cranes have been built to meet the highest standards of safety and service life and have been thoroughly tested. Strength calculations for this model have been carried out in accordance with EN13001 in fatigue class S1. Cargotec's certified Quality Assurance System complies with ISO 9001. Some of the items in our literature may be extra equipment. Certain applications may require an official permit. We reserve the right to change technical specifications without prior notice. Hiab cranes produced for EU-countries are CE-marked and comply with the European Standard EN 12999.

**Cargotec** improves the efficiency of cargo flows by offering solutions for the loading and unloading of goods on land and at sea – wherever cargo is on the move. Cargotec's main daughter brands for cargo handling Hiab, Kalmar and MacGregor are global market leaders in their fields. [www.cargotec.com](http://www.cargotec.com)